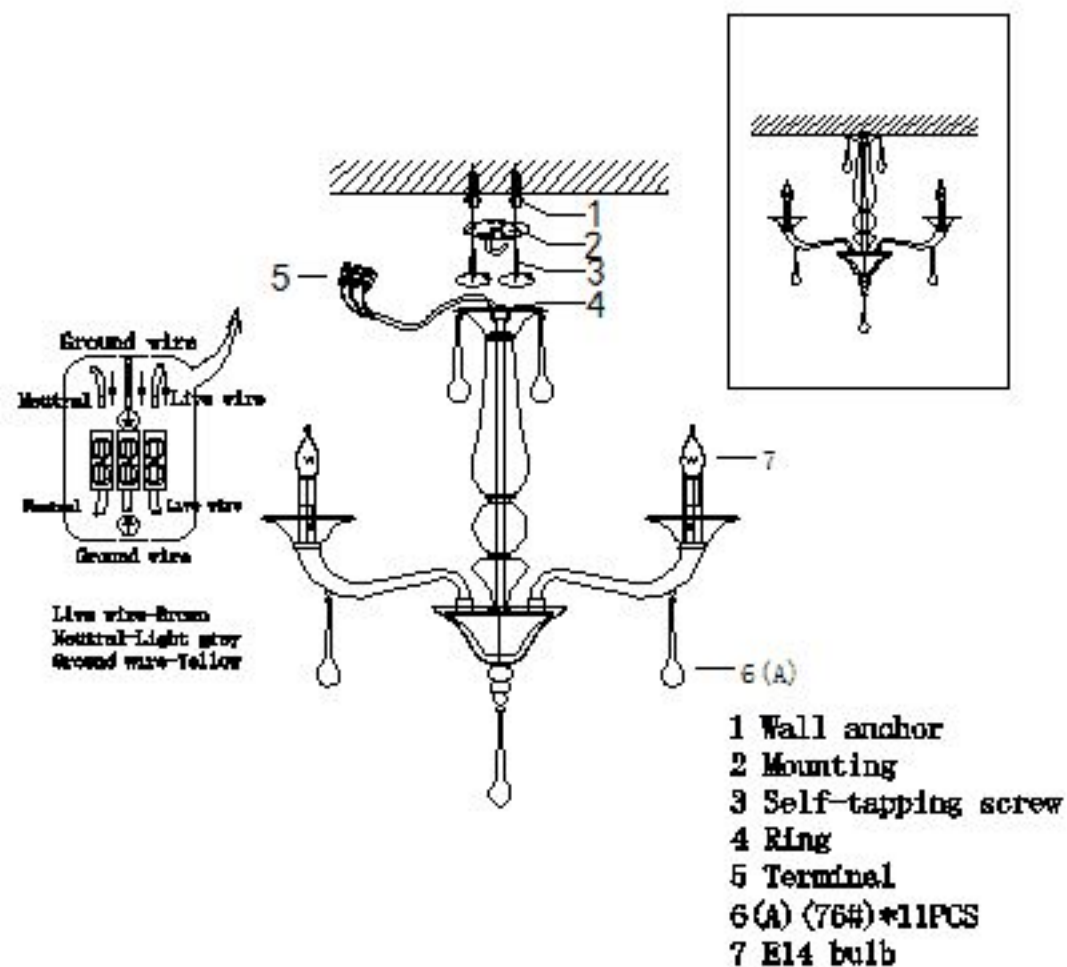


## ENGLISH

### Specification of installation

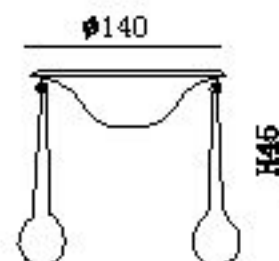
In order to ensure safety use, please notice the following items:

- Read and understand the whole Specification.
- Suitable for the use of 220~240V and 60~60Hz.
- Please wear gloves at installation and avoid rot on the surface of plating.
- Must be installed on the fixed places and be checked annually.
- Please turn off the lighting source by cloth as cleaning prohibited to use of rotted detergent.
- Please consult with the local sales service center when there are any abnormality.

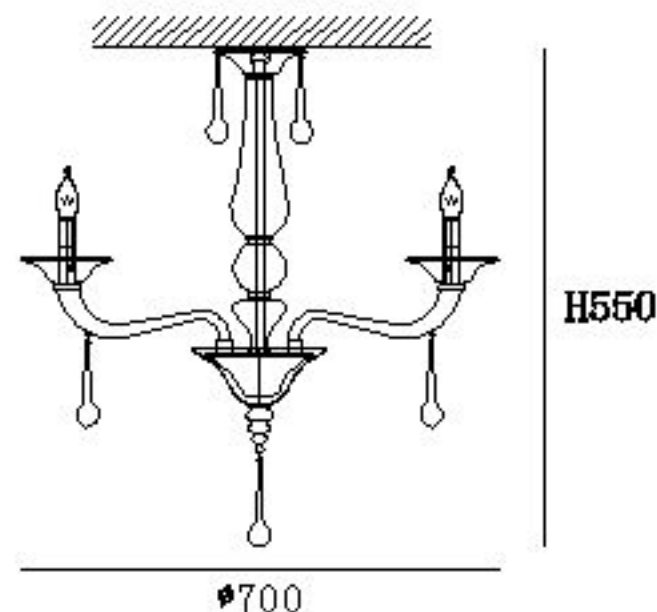


Product coding: MONICA SP-PL6  
CHROME/TRANSPARENT

### CEILING PAN SIZE:



### FIXTURE SIZE:

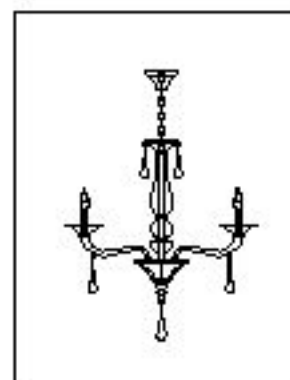
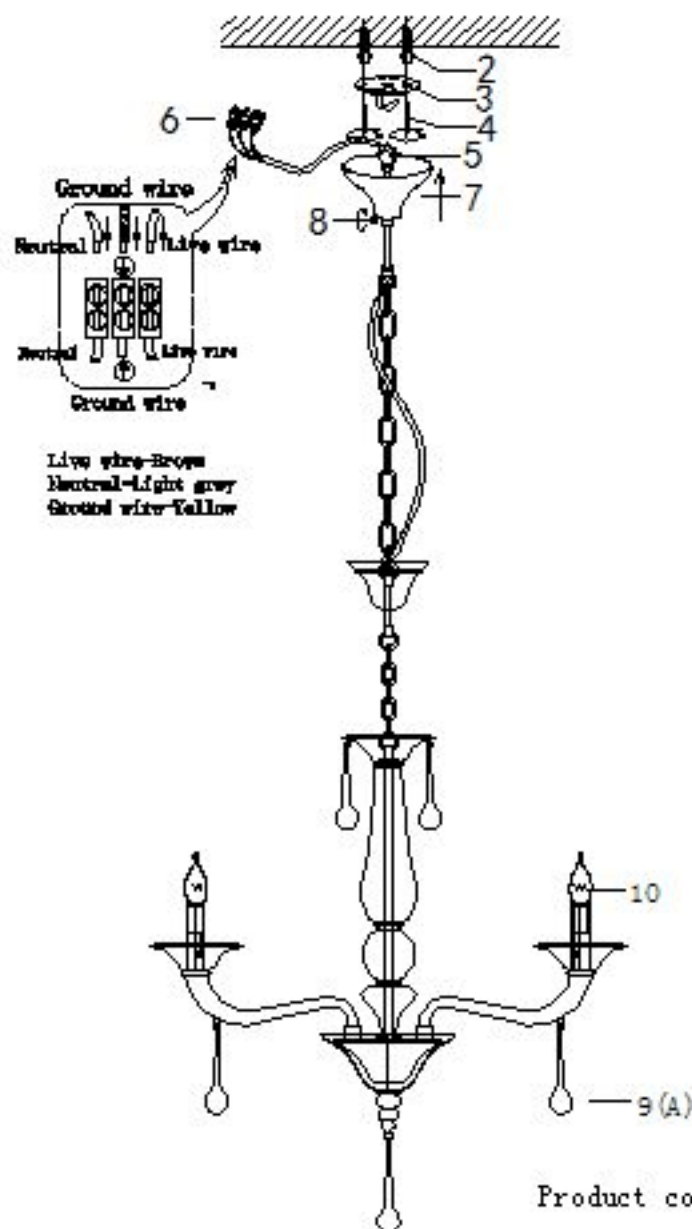


## ENGLISH

### Specification of installation

In order to ensure safety use, please notice the following items:

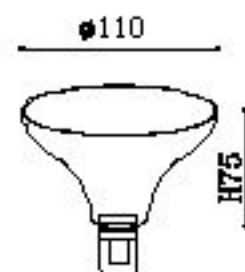
- Read and understand the whole Specification.
- Suitable for the use of 220~240V and 50/60Hz.
- Please wear gloves at installation and avoid rot on the surface of plating.
- Must be installed on the fixed places and be checked annually.
- Please turn off the lighting source by cloth as cleaning prohibited to use of rotted detergent.
- Please contact with the local sales service center when there are any abnormality.



- 1 Pipe
- 2 Wall anchor
- 3 Mounting
- 4 Self-tapping screw
- 5 Ring
- 6 Terminal
- 7 Canopy
- 8 Screw
- 9(A) (76#) \*11PCS
- 10 E14 bulb

Product coding: MONICA SP-PL6  
CHROME/TRANSPARENT

## CEILING PAN SIZE:



## FIXTURE SIZE:

