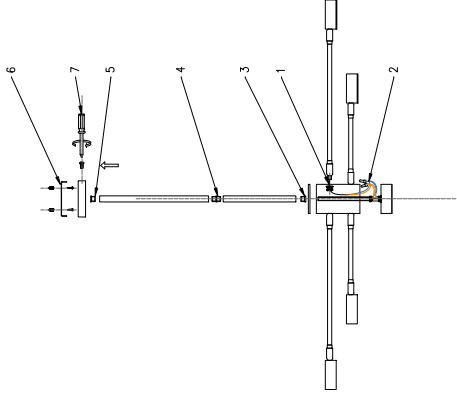
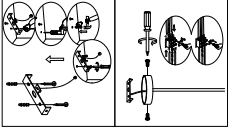


ENGLISH

Specification of installation

In order to ensure safety use, please notice the following items:

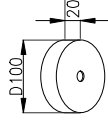
- Read and understand the whole Specification.
- Suitable for the use of 220~240V and 50~60Hz.
- Please wear gloves as installation and avoid rot on the surface of plating.
- Must be installed on the fixed places and be checked annually.
- Please turn off the lighting source by soft cloth as cleaning prohibited to use of rotted detergent.
- Please connect with the local sales service center when there are any abnormality.



- 1.Nut
- 2.Terminals
- 3.Screw tube
- 4.Screw tube
- 5.Screw tube
- 6.Hanging board
- 7.Ceiling base screw

Product coding: GORACIO SP10 D1100 CHROME

CEILING BASE SIZE:



FIXTURE SIZE:

