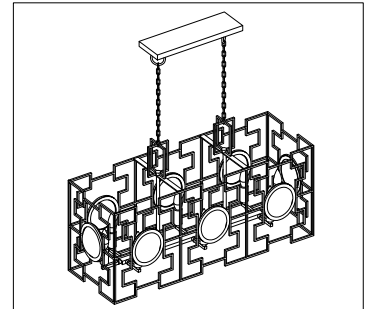
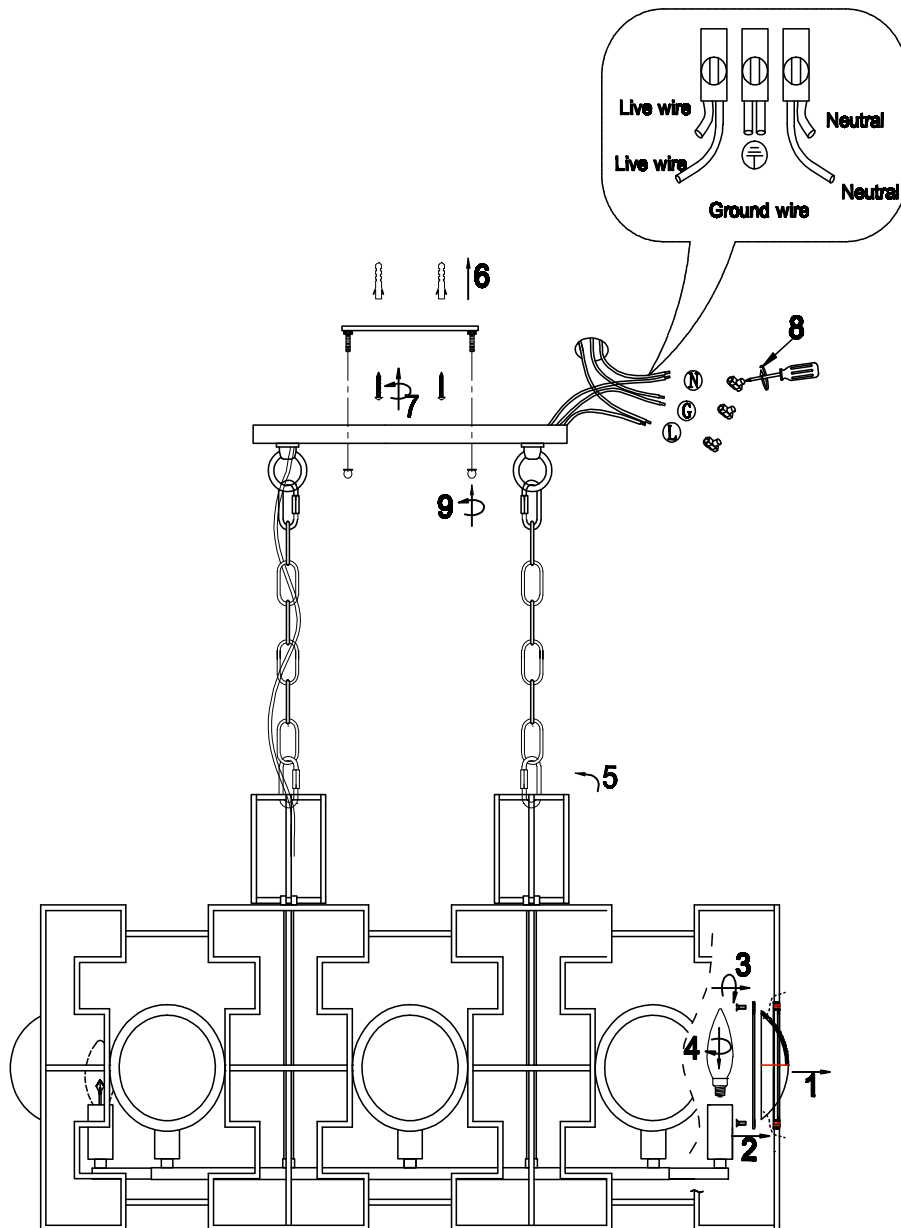


ENGLISH

Specification of installation

In order to ensure safety use, please notice the following items:

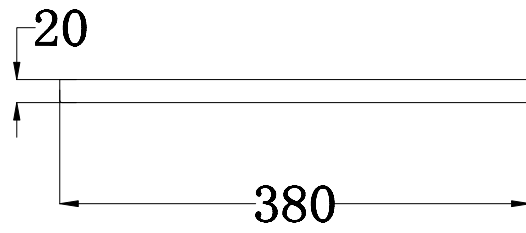
- . Read and understand the whole Specification.
- . Suitable for the use of 220-240V and 50-60Hz.
- . Please wear gloves as installment and avoid rot on the surface of plating.
- . Must be installed on the fixed places and be checked annually.
- . Please turn off the lighting source by soft cloth as cleaning prohibited to use of rotted detergent.
- . Please connect with the local sales service center when there are any abnormality.



- 1 Crystal
- 2 Metal ring
- 3 Screw
- 4 Blub
- 5 Chain
- 6 Wall Plugs
- 7 Screw
- 8 Terminal
- 9 Final

**Product coding: CUENTO SP8
L900 GOLD**

BASE SIZE:



FIXTURE SIZE:

