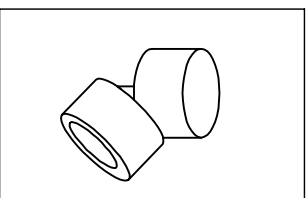
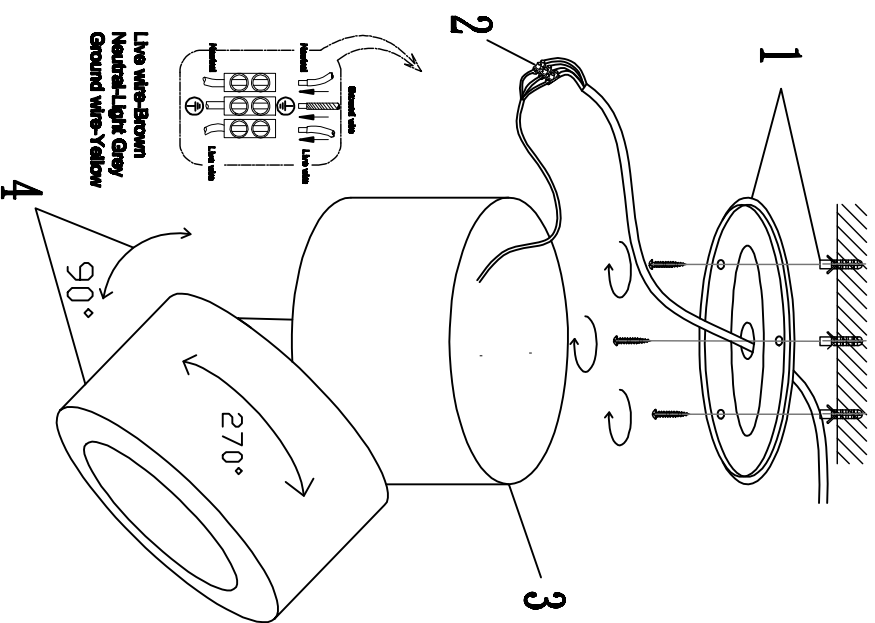


ENGLISH

Specification of installation

In order to ensure safety use, please notice the following items:

- Read and understand the whole Specification.
- Suitable for the use of 220-240V and 50-60Hz.
- Please wear gloves as installment and avoid rot on the surface of piling.
- Must be installed on the fixed phase and be checked annually.
- Please turn off the lighting source by soft cloth as cleaning prohibited to use of roted detergent.
- Please connect with the local sales service center when there and any abnormally.



- 1 Wall anchor
- 2 Terminal
- 3 Rotation lamp body
- 4 Adjust the lamp

Product coding: CLT 412C WH
CLT 412C BL

CEILING PAN SIZE:

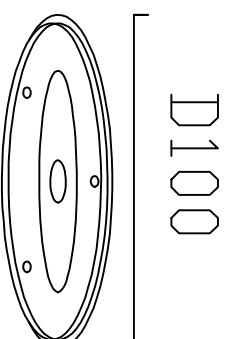


FIGURE SIZE:

