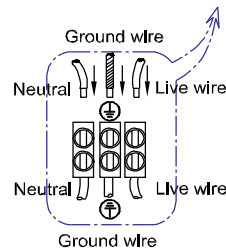
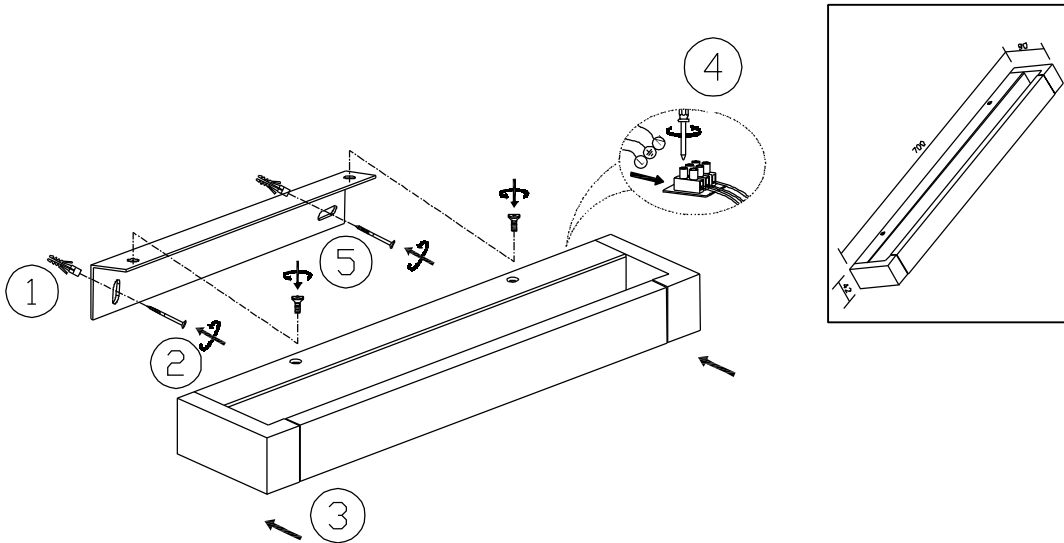


# ENGLISH IP20

## Specification of installation

In order to ensure safety use, please notice the following items:

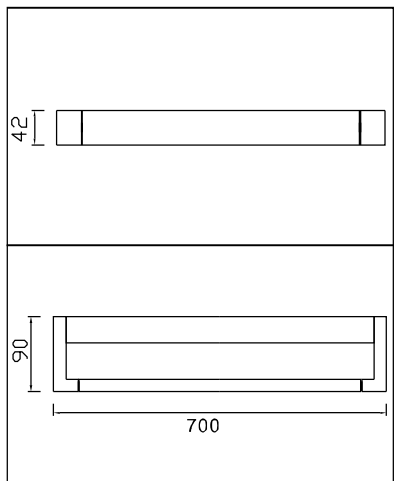
- Read and understand the whole Specification.
- Suitable for the use of 220~240V and 50~60Hz.
- Please wear gloves as installment and avoid rot on the surface of plating.
- Must be installed on the fixed places and be checked annually.
- Please turn off the lighting source by soft cloth as cleaning prohibited to use of rotted detergent.
- Please connect with the local sales service center when there are any abnormality.



Live wire-Brown  
Neutral-Light grey  
Ground wire-Yellow

1. Wall anchor
2. Self-tapping screw
3. Mounting
4. Terminal
5. Screw

Product coding: CLT 028W700 WH

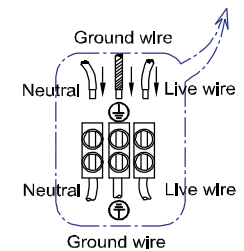
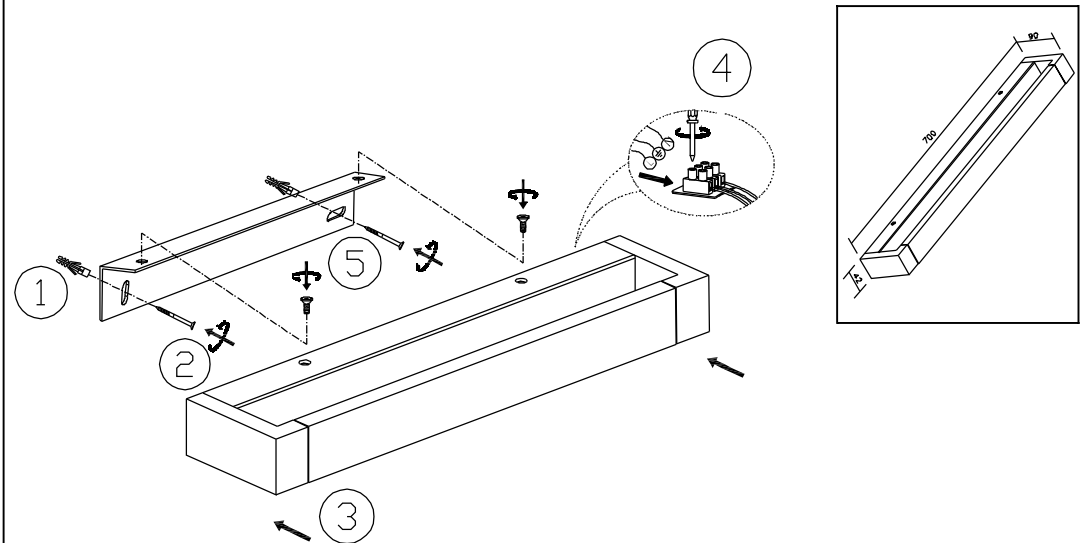


# ENGLISH IP20

## Specification of installation

In order to ensure safety use, please notice the following items:

- Read and understand the whole Specification.
- Suitable for the use of 220~240V and 50~60Hz.
- Please wear gloves as installment and avoid rot on the surface of plating.
- Must be installed on the fixed places and be checked annually.
- Please turn off the lighting source by soft cloth as cleaning prohibited to use of rotted detergent.
- Please connect with the local sales service center when there are any abnormality.



Live wire-Brown  
Neutral-Light grey  
Ground wire-Yellow

1. Wall anchor
2. Self-tapping screw
3. Mounting
4. Terminal
5. Screw

Product coding: CLT 028W700 WH

