

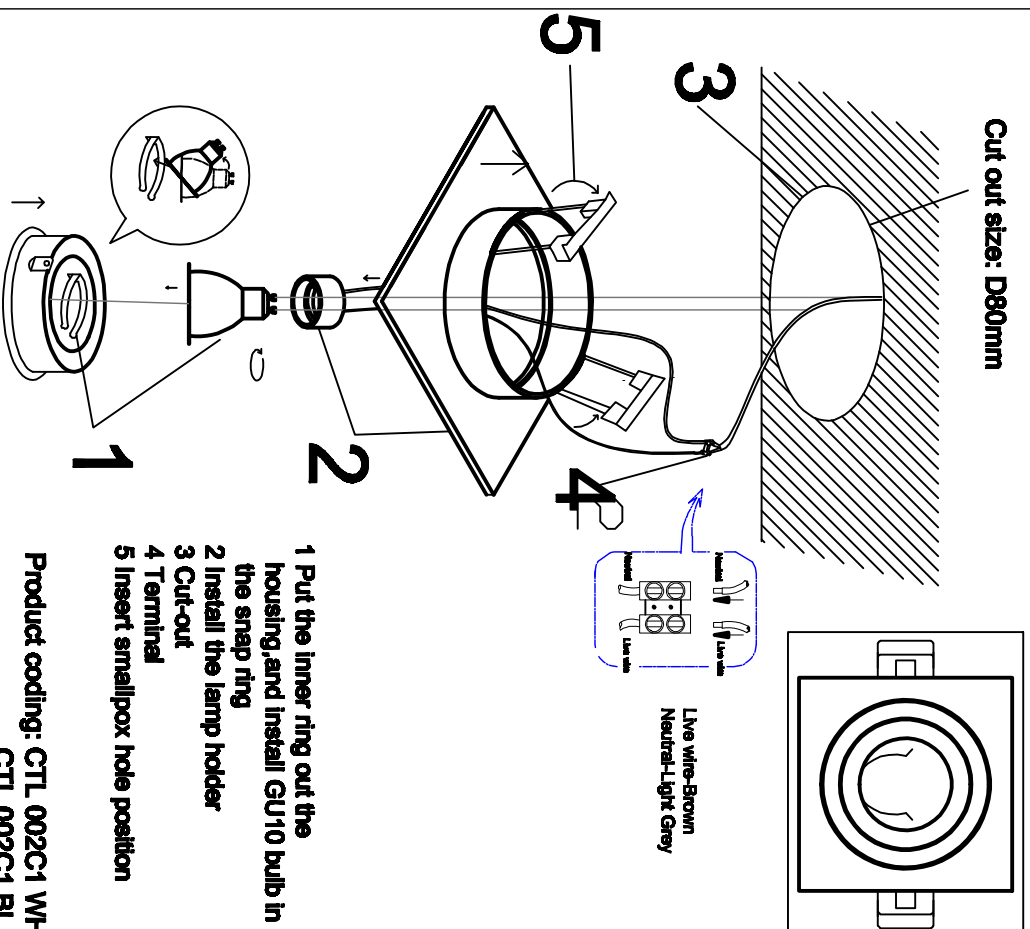
## ENGLISH

### Specification of installation

In order to ensure safety use, please notice the following items:

- Read and understand the whole Specification.
- Suitable for the use of 220-240V and 50-60Hz.
- Please wear gloves as installation and avoid rot on the surface of plating.
- Must be installed on the fixed phase and be checked annually.
- Please turn off the lighting source by soft cloth as cleaning prohibited to use of roted detergent.
- Please connect with the local sales service center when there and any abnormally.

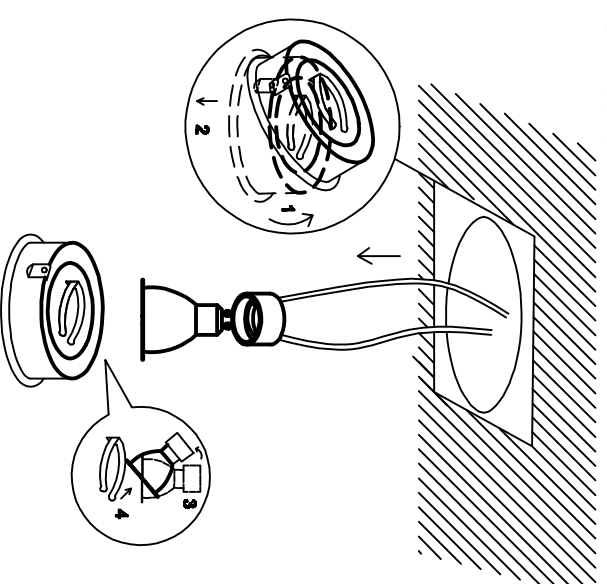
Cut out size: D80mm



- 1 Put the inner ring out the housing and install GU10 bulb in the snap ring
- 2 Install the lamp holder
- 3 Cut-out
- 4 Terminal
- 5 Insert smallpox hole position

Product coding: CTL 002C1 WH  
CTL 002C1 BL

## Replacement bulb:



## FIGURE SIZE:

