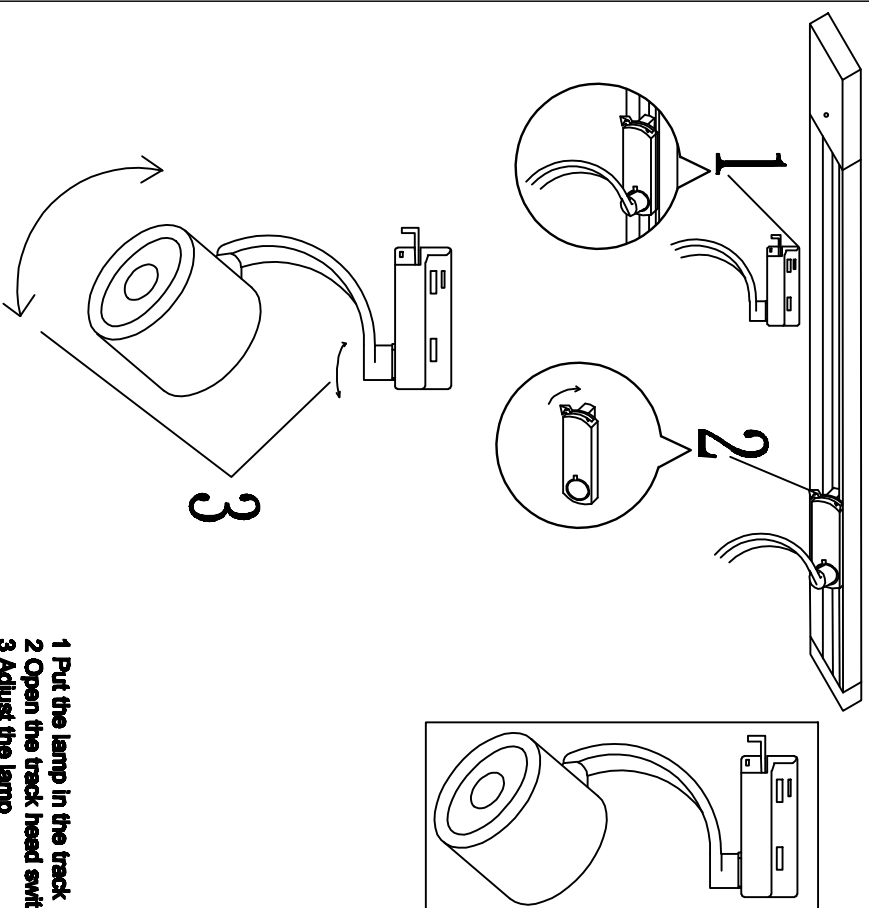


## ENGLISH

### Specification of installation

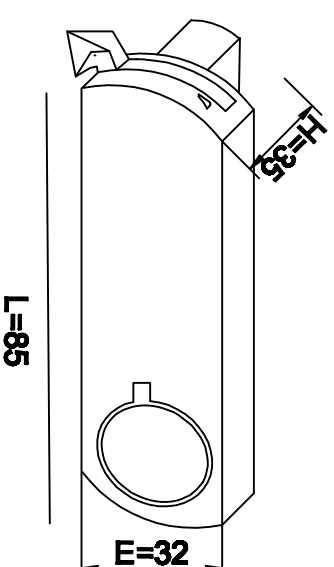
In order to ensure safety use, please notice the following items:

- Read and understand the whole Specification.
- Suitable for the use of 220-240V and 50-60Hz.
- Please wear gloves as installment and avoid not on the surface of painting.
- Must be installed on the fixed phase and be checked annually.
- Please turn off the lighting source by soft cloth as cleaning prohibited to use of rotoid detergent.
- Please connect with the local sales services center when there and any abnormally.



Product coding: CLT 0.31 004 WH  
CLT 0.31 004 BL

## TRACK HEAD SIZE:



## FIXTURE SIZE:

