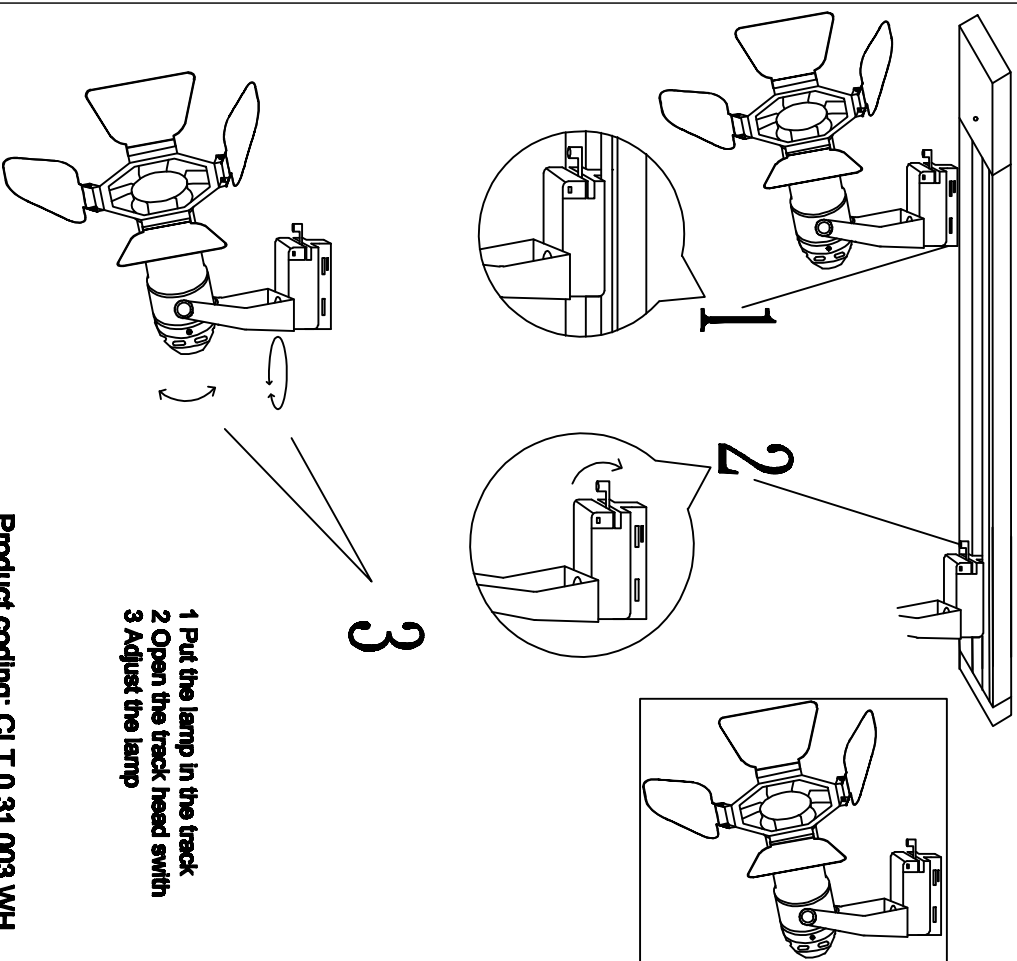


## ENGLISH

### Specification of installation

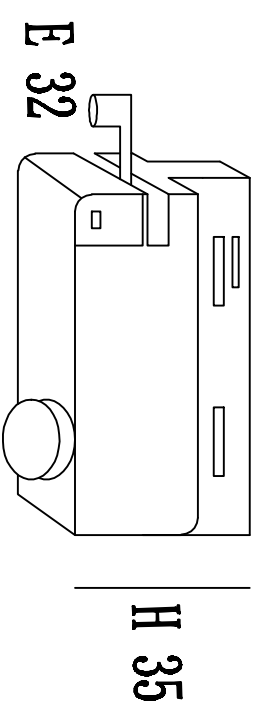
In order to ensure safety use, please notice the following items:

- Read and understand the whole Specification.
- Suitable for the use of 220-240V and 50-60Hz.
- Please wear gloves as installation and avoid not on the surface of plating.
- Must be installed on the fixed please and be checked annually.
- Please turn off the lighting source by soft cloth as cleaning prohibited to use of rotted detergent.
- Please connect with the local sales service center when there and any abnormality.



Product coding: CLT 0.31 003 WH  
CLT 0.31 003 BL

## CEILING PAN SIZE:



## FIGURE SIZE:

