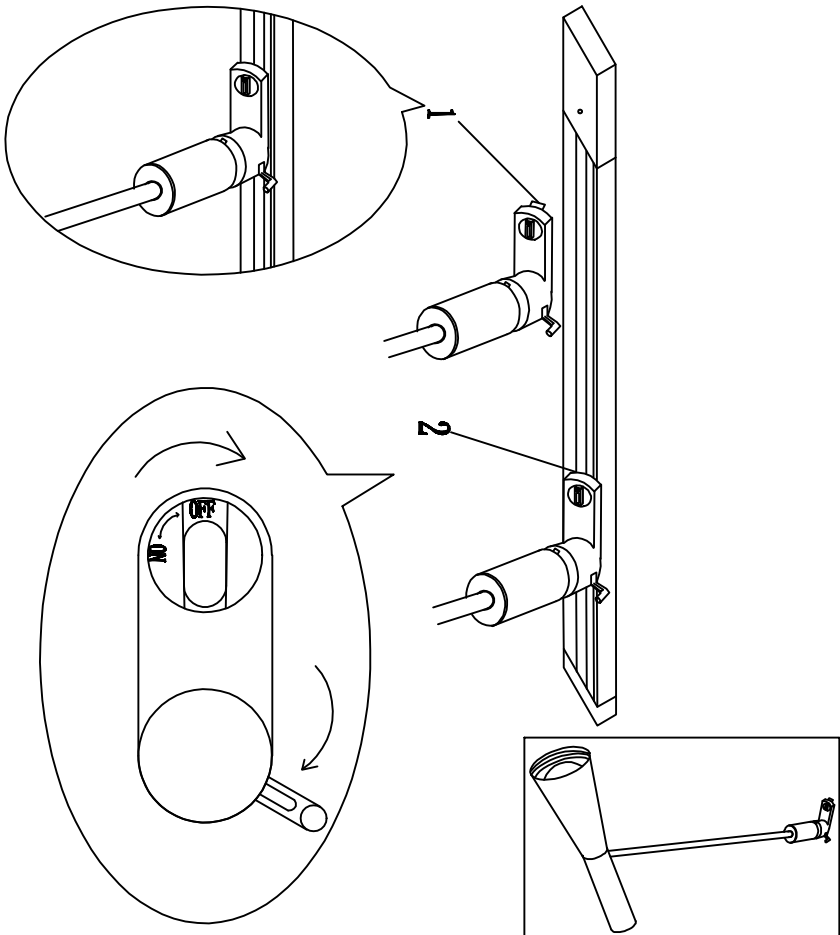


## ENGLISH

### Specification of installation

In order to ensure safety use, please notice the following items:

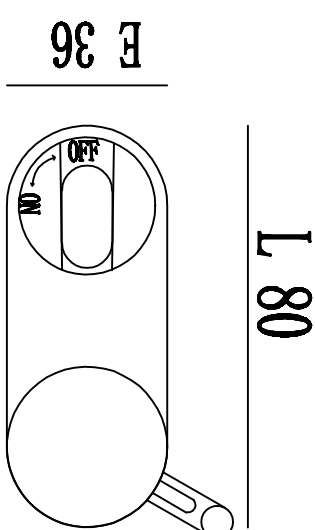
- Read and understand the whole Specification.
- Suitable for the use of 220-240V and 50-60Hz.
- Please wear gloves as installation and avoid rot on the surface of plating.
- Must be installed on the fixed please and be checked annually.
- Please turn off the lighting source by soft catch as cleaning prohibited to use of roted detergent.
- Please connect with the local sales service center when there and any abnormally.



- 1 Put the lamp in the track
- 2 Open the track head switch

Product coding: CLT 0.31 002 WH  
CLT 0.31 002 BL

## TRACK HEAD SIZE:



## FIGURE SIZE:

