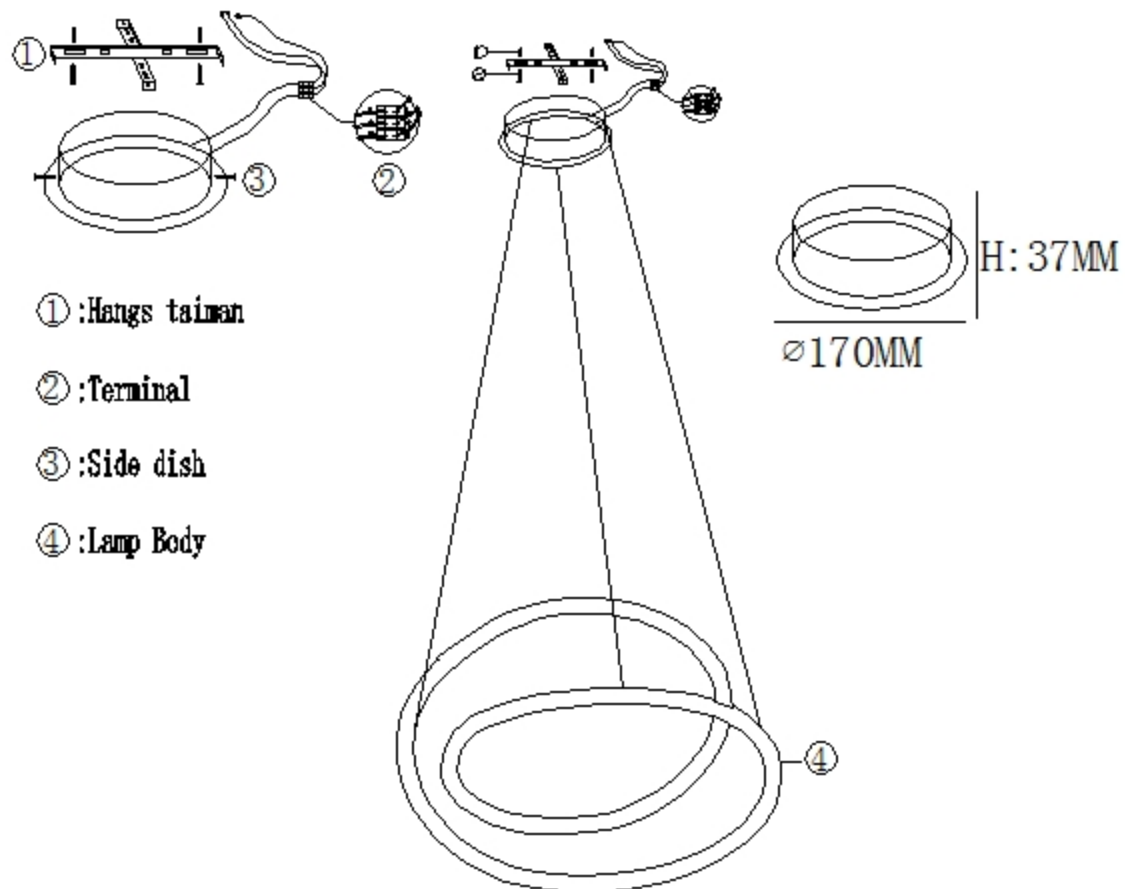


Specification of installation

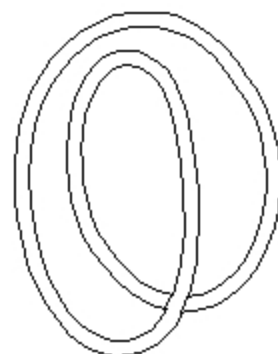
In order to ensure safety use, please notice the following items:

- .Read and understand the whole specification.
- .Suitable for the use of 220~240v and 50~60Hz.
- .Please wear gloves as installment and avoid rot on the surface of plating.
- .Must be installed on the fixed places and be checked annually.
- .Please turn Off the lightng source by soft cloth as cleaning prohibited to use rotted detergent.
- .Please connect with the local sarvice centhr when there are any abnormality.

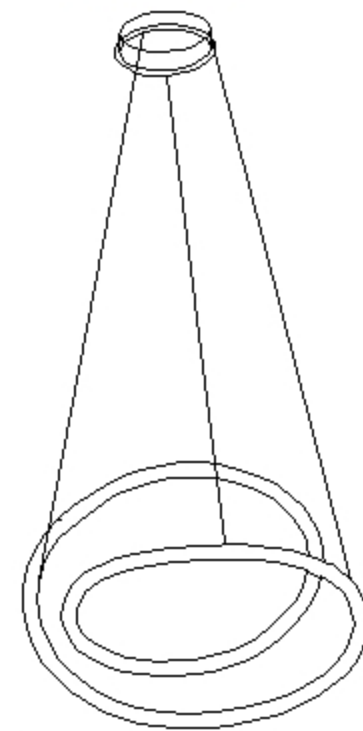


AMIGO SP540 SILVER

FIXTURE SIZE:



E: 530MM



H: 1200MM

W: 560MM