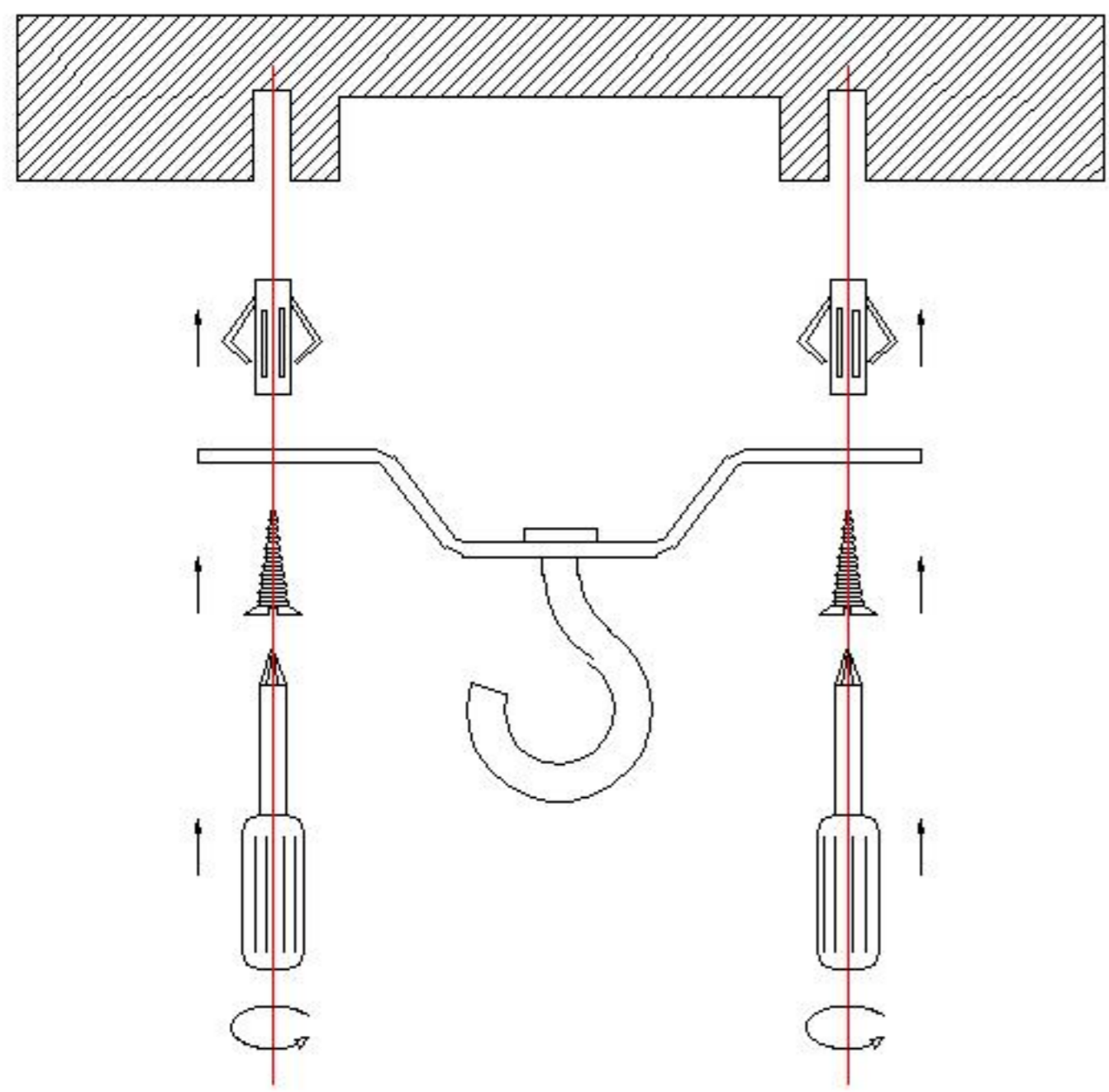


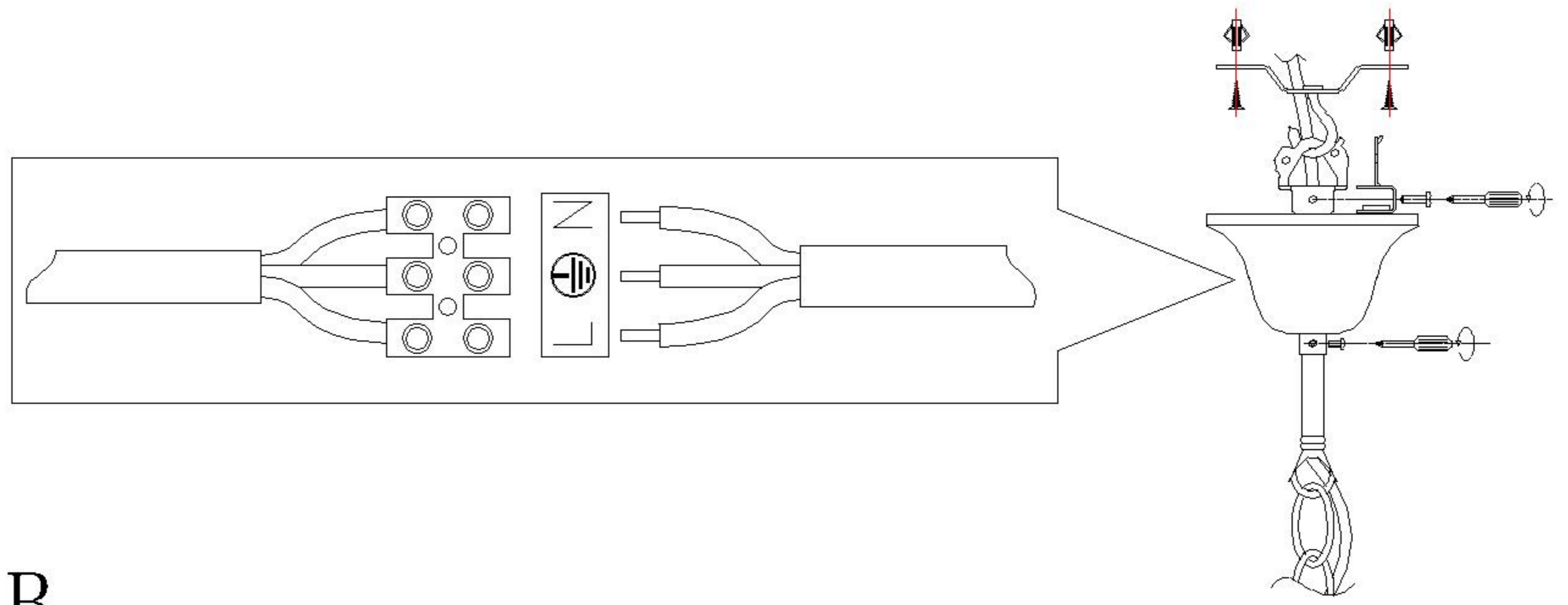


ASSEMBLY
INSTRUCTIONS

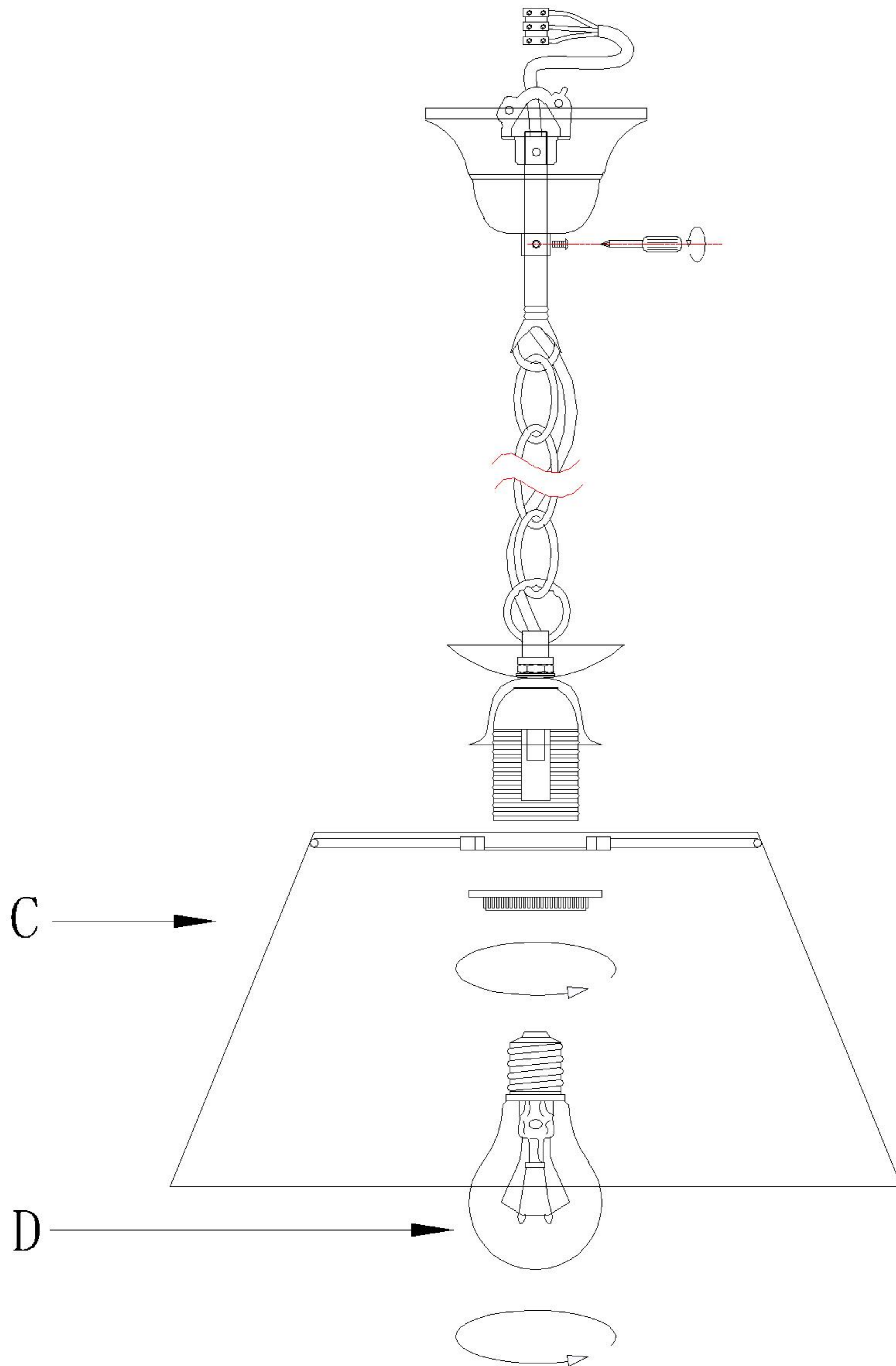
A5013SP-1BG



A



B



C

D