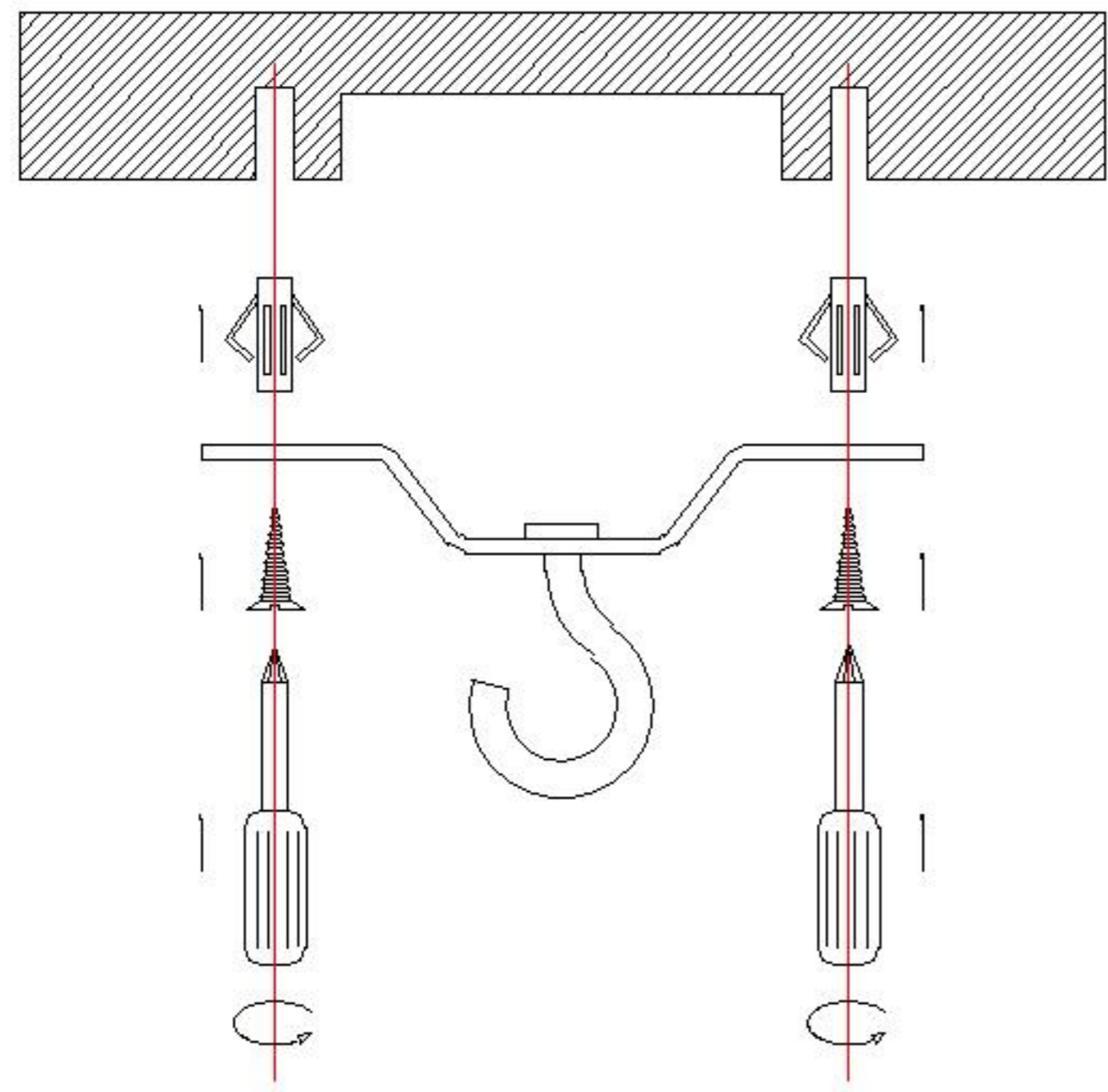


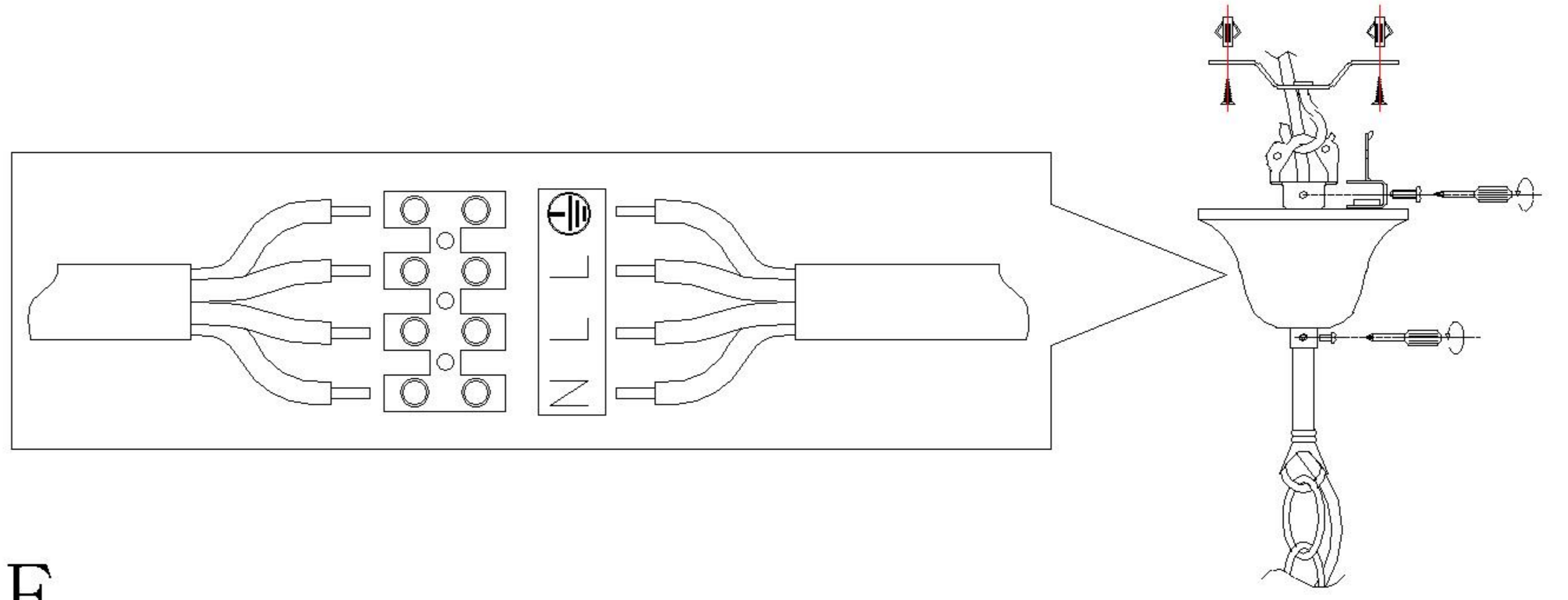


ASSEMBLY INSTRUCTIONS

A2008SP-6BZ



A



F

